

SLIPWAY TRAILER

HBC25L

Choices

- valve block of the trailer suited for open circuit pump (fix) of pulling vehicle
- valve block of the trailer suited for closed circuit pump (LS) of pulling vehicle
- hydraulically steering drawbars mechanically extendable
- hydraulically steering drawbars mechanically extendable extra long
- hydraulically steering drawbar hydraulically extendable
- hydraulically steering drawbar hydraulically extendable extra long
- additional pad cylinders
- pad cylinder extension pieces with different lengths
- different combinations of pads

Standard

- open U-frame trailer on 8 wheels
- hydraulic variable width
- hydraulic variable height front & rear
- lifting capacity 25 tons
- all lifting cylinders with safety valves
- manual operated valve block
- user manual according to CE
- hot dip galvanized drawbar
- hot dip galvanized frame
- hot dip galvanized structural parts of the pads
- galvanized and powder coated wheel rims
- galvanized wheel axles
- spray painted hydraulic cylinders
- spray painted cross beam
- hot dip galvanized mounting hardware
- stainless steel hydraulic hose covers under the long beams
- galvanized bushings in the frame
- wheel set pivot point with bronze bushings
- tandem set pivot point with bronze bushings
- lubricated galvanized pins
- watertight hub construction
- heavy duty hydraulic hoses
- air filled tyres

RANGE
HBC15
HBC20
HBC25L
HBC40



Roodberg[®]

The Original

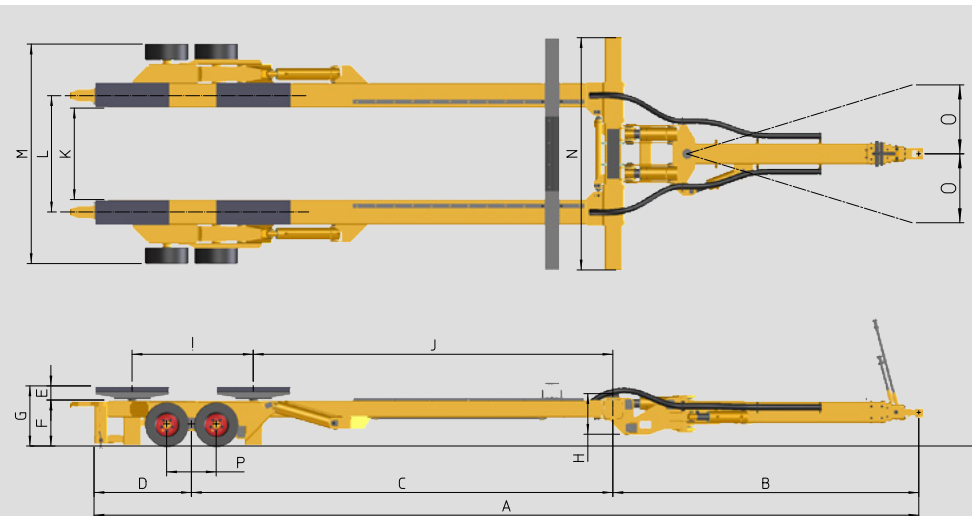


Discription (Units: M)		HBC25L SDMD	HBC25L SDMDEL	HBC25L SDHD	HBC25L SDHDEL
A	Overall length	9,24-10,16	10,24-11,16	10,00-12,16	11,10-14,36
B	Drawbar length	2,95-3,87	3,95-4,87	3,71-5,87	4,81-8,07
C	Center to center wheelset-crossbeam	5,11	5,11	5,11	5,11
D	Wheelset center to frame end	1,18	1,18	1,18	1,18
E	Pad height	0,17-0,52	0,17-0,52	0,17-0,52	0,17-0,52
F	Frame height	0,56-1,16	0,56-1,16	0,56-1,16	0,56-1,16
G	Total height	0,73-1,68	0,73-1,68	0,73-1,68	0,73-1,68
H	Minimum height crossbeam	0,49	0,49	0,49	0,49
I	Pad distance	1,47	1,47	1,47	1,47
J	First pad center to crossbeam	4,36	4,36	4,36	4,36
K	Inside clear width	1,11-2,43	1,11-2,43	1,11-2,43	1,11-2,43
L	Pad width center to center	1,41-2,73	1,41-2,73	1,41-2,73	1,41-2,73
M	Overall width	2,66-3,98	2,66-3,98	2,66-3,98	2,66-3,98
N	Crossbeam width	2,82	2,82	2,82	2,82
O	Lateral displacement pull eye	0,96-1,40	1,44-1,87	0,82-1,45	0,81-1,49
P	Wheels center to center	0,60	0,60	0,60	0,60
Q	Center to center wheelset-tandem	-	-	-	-
R	Inside clear width frame	-	-	-	-
S	Outside width frame	-	-	-	-
T	Length of padded contact surface	-	-	-	-

HBC25L

Options

- hydraulic valves mounted in a stainless steel box mounted on the side of the drawbar
- radio remote control
- radio remote control with secondary control on valve block
- working lights
- high gloss spray painted drawbar
- high gloss spray painted frame
- high gloss spray painted slidable support beam
- high gloss spray painted structural parts of the pads
- stainless steel protection plates mounted under each pad
- stainless steel and chromated cylinder rods
- all pivot points of the cylinder with bronze bushings
- stainless steel pins instead of galvanized pins
- stainless steel bushings in the frame
- stainless steel wheel axles
- stainless steel mounting hardware
- tectylated hydraulic couplings
- hydraulic fittings protected by Denso anti corrosion tape
- stainless steel hydraulic fittings
- thermoplastic hydraulic hoses with kevlar reinforcement
- bio degradable hydraulic oil
- nose pad on main cross beam
- galvanized steel plate to protect the width adjustment cylinders
- hot dip galvanized slidable straight support beam
- hot dip galvanized slidable lowered support beam
- hot dip galvanized sliding strips with locking pins
- hot dip galvanized elevated straight support beam part
- hot dip galvanized elevated support beam part in hull centring form with pad
- catamaran support beams different capacities
- set of hinged pad supports with pads
- manual adjustable keel support
- rear cradle forks
- T-form boat cradle lift part front
- manual adjustable guiding arms
- set of guiding poles with flag
- solid tyres



Specifications subject to change without notice and data are indicative only.

Roodberg[®]

+31 513 52 1313

info@roodberg.com - www.roodberg.com

Terband - Heerenveen - The Netherlands

www.roodberg.com