

STATIC POWER CRANES

SPC20-4E



Standard

- Environmental friendly full electric crane 400V/50Hz
- Unique control over the load using 4 chain hoists
- 2by2 independent lifting: front / aft or Portside / Starboard ea all 4 together
- One-man operation possible
- Lifting speed: 2,80 M/Min
- Slewing speed approx. 0,30 rpm
- 360° Continuous slewing
- Lifting points 5,00 M apart to handle wide boats
- Adjustable lifting points lengthwise from 1,80 M to 5,00 M
- H-frame oversized to lift 3 tons on 1 lifting point
- Stainless steel Electric cabinet, class IP65
- Exterior steel frame with 5 years paint warranty
- Interior of column protected by 1 layer epoxy primer

RANGE SPC12-4E **SPC20-4E** SPC30-4E SPC40-4E SPC50-4E SPC80-4E

Roodberg[®]

The Original

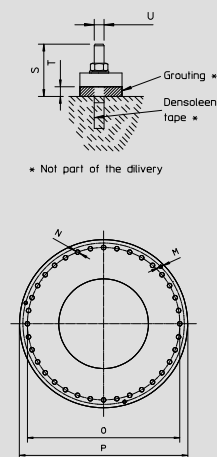
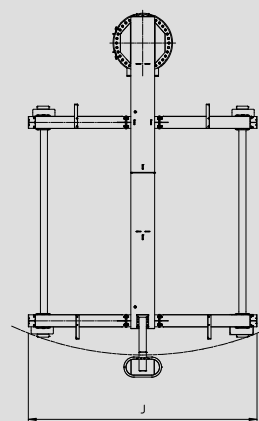
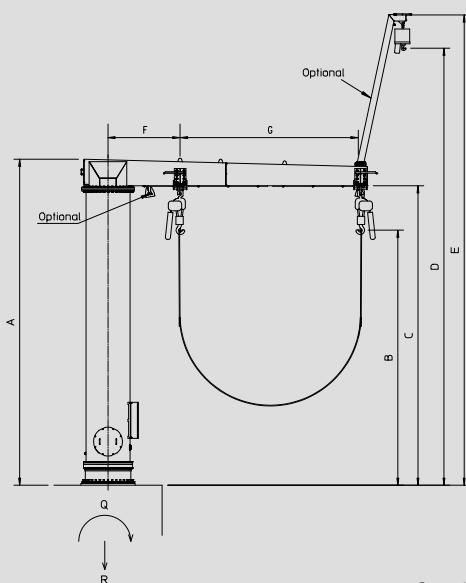
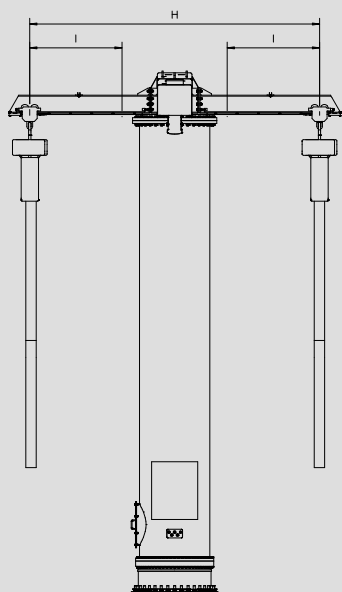


* Not included in delivery		SPC20-4E	
A	Overall height	9	m
B	Hook height	7,10	m
C	Free height under main beam	8,30	m
D	Hook height jib crane	12,10	m
E	Overall height jib crane	13	m
F	Distance center column to inner hooks	2	m
G	Inside clear width	5	m
H	Min/max sling spacing	1,80-5,00	m
I	Sling spacing	1,60	m
J	Overall length	6	m
M	Anchor bolts	M30(3x)	-
N	Bolt circle holes	Ø40(36x)	-
O	Bolt circle diameter	PCD.1360	mm
P	Baseplate width	PCD.1440	m
Q	Force on the foundation (torque)	1400	kNm
R	Vertical force on foundation	400	kN
S	Advised over length anchor bolts	190	mm
T	Advised thickness of grouting *	35	mm
U	Size of anchor bolts *	M36(8.8)	-

SPC20

Options

- JIB crane 1.000 kg
- Radio remote control
- Custom built height
- Custom built width
- Additional hook drop below quay instead of standard
- Dividable slings at 60% of its length, with quick release
- 2 worklight under main horizontal beam
- Customized color



* Not part of the delivery

Specifications subject to change without notice. Pictures for references only.

Roodberg

Phone: +31 513 52 1313
 info@roodberg.nl - www.roodberg.nl
 Terband - Heerenveen - The Netherlands
 www.roodberg.com