

# SLIPWAY TRAILER

## HBC15-20



### Standard

- Manually operated control panel for all functions
- Hydraulic steering drawbar (SD)
- Manual extendable drawbar (MD)
- Hydraulic variable width
- Hydraulic variable height frame rear and front
- 2x Hydraulic pads 120x40cm
- 4 pneumatic tires
- 2x Lifting feet for T-form cradles
- Straight crossbeam
- Heavy duty hydraulic hoses
- Standard length for both pressure- and return hoses are 1,50m
- 2 Quick couplings tractor
- System configured for fixed displacement pump
- Coated RAL 1028 Yellow

RANGE

HBC15-20

HBC38

HBC60V

**Roodberg**<sup>®</sup>

**The Original**



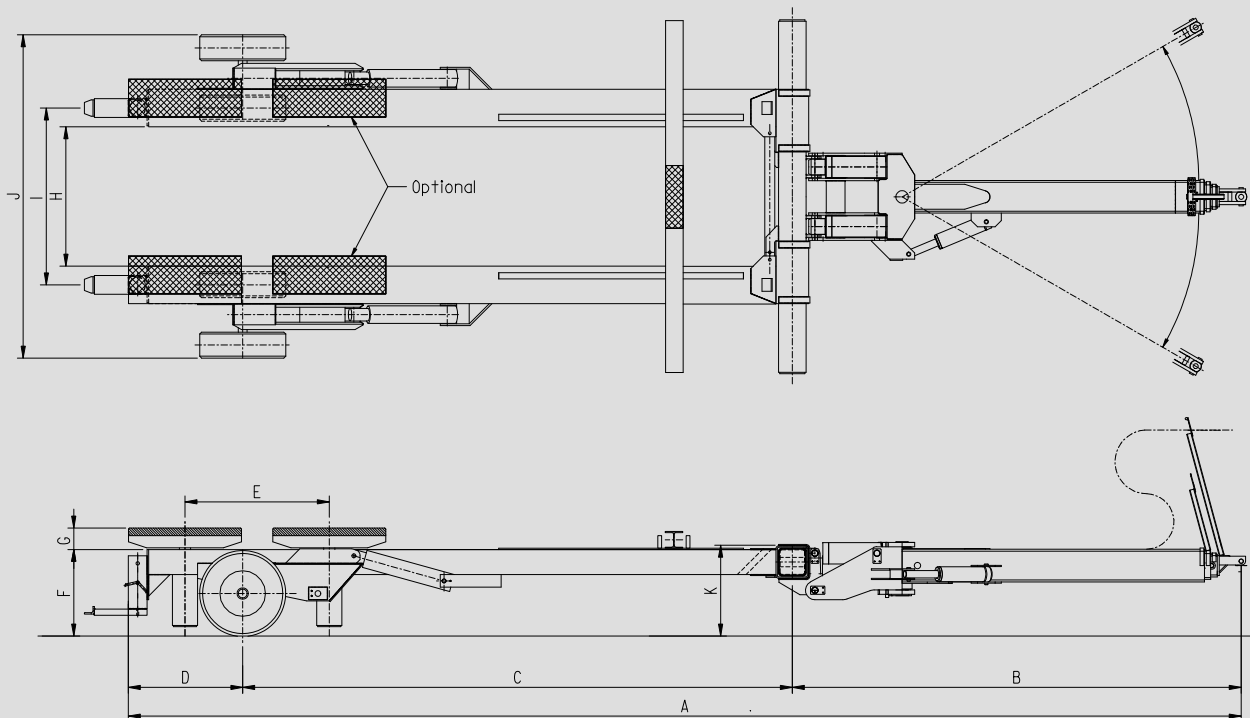
**HBC15      HBC20**  
*Dimensions in meters (approximativ)*

	HBC15	HBC20
A overall length	8,87-10,97	9,87-11,97
B drawbar length	3,58-5,68	3,58-5,68
C wheelcenter to crossbeam	4,38	5,11
D wheelcenter to frame end	0,91	1,18
E pad distance	1,15	1,33
F frame height	0,69-1,25	0,79-1,28
total height on pads	0,86-1,86	0,96-1,89
G pad height	0,17-0,61	0,17-0,61
H frame width	1,11-2,43	1,11-2,43
I lifting feet width	1,41-2,73	1,41-2,73
J overall width	2,60-3,92	2,70-4,02
K height on crossbeam	0,43-1,95	0,43-1,95

# HBC15-20

## Options

- 4 Hydraulic pads instead of 2
- Hydraulic extendable drawbar (HD 2.10m)
- Hydraulic extendable drawbar extra long (HDEL 3.20m)
- Radio remote control of all hydraulic functions
- Fully galvanized frame + paint
- Denzo tape around hydraulic fittings
- Lower crossbeam with high piece and pad on galvanized steel strips + positioning pins
- Bilgekeel beams support set
- Set of adjustable guiding arms
- Catamaran Crossbeams (width 10m)
- Dual pads
- Quattro pads
- Nose pad on main crossbeam
- Pad cilinder extension 30cm
- Stainless steel protection plates under pads
- Solid rubber tyres instead of air tyres
- Customized colour



*Specifications subject to change without notice. Pictures for references only.*