

SLIPWAY TRAILER

RBT30



Standard

- Manually operated control panel for all functions
- Hydraulic steering drawbar (SD)
- Manual extendable drawbar (MD)
- Hydraulic variable width
- Hydraulic variable height frame rear and front
- 4x Hydraulic pads 120x40cm
- 8 Pneumatic tires
- 2x Lifting feet for T-form cradles
- Straight crossbeam
- Heavy duty hydraulic hoses
- Standard length for both pressure- and return hoses 1,50m
- 2 Quick couplings tractor
- System configured for fixed displacement pump
- Coated RAL 1028 Yellow

RANGE

RBT30

RBT47-60

RBT47-60V

Roodberg[®]

The Original



RBT30

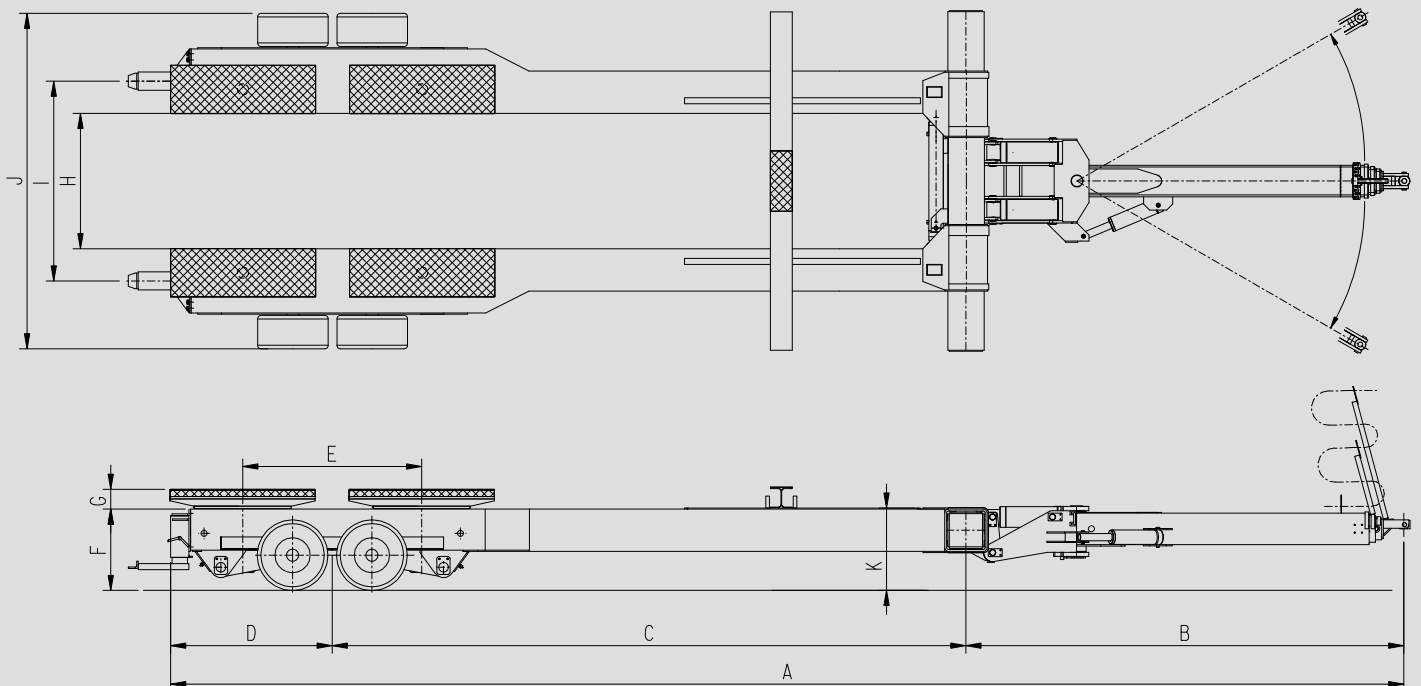
Dimensions in meters (approximativ)

A	overall length	10,20-12,30
B	drawbar length	3,62-5,72
C	wheelcenter to crossbeam	5,24
D	wheelcenter to frame end	1,34
E	pad distance	1,48
F	frame height	0,67-1,17
	total height on pads	0,83-1,68
G	pad height	0,16-0,51
H	frame width	1,12-2,5
I	lifting feet width	1,65-3,03
J	overall width	2,77-4,15
K	height on crossbeam	0,46-2,12

RBT30

Options

- 6 Hydraulic pads instead of 4
- Hydraulic extendable drawbar (HD 2.10m)
- Hydraulic extendable drawbar extra long (HDEL 3.20m)
- Radio remote control of all hydraulic functions
- Fully galvanized frame + paint
- Denzo tape around hydraulic fittings
- Lower crossbeam with high piece and pad on galvanized steel strips + positioning pins
- Bilgekeel beams support set
- Set of adjustable guiding arms
- Catamaran Crossbeams (width 10m)
- Dual pads
- Nose pad on main crossbeam
- Pad cilinder extension 30cm
- Stainless steel protection plates under pads
- Solid rubber tyres instead of air tyres
- Customized colour



Specifications subject to change without notice. Pictures for references only.

Roodberg[®]

Phone: +31 513 52 1313
 info@roodberg.nl - www.roodberg.nl
 Terband - Heerenveen - The Netherlands
www.roodberg.com