

# SLIPWAY TRAILER

## RBT47-60



### Standard

- Manually operated control panel for all functions
- Hydraulic steering drawbar (SD)
- Hydraulic extendable drawbar (HD 2,10m)
- Hydraulic variable width
- Hydraulic variable height frame rear and front
- 6x Hydraulic pads 120x40cm
- 16 Pneumatic tires
- 2x Lifting feet for T-form cradles
- Straight crossbeam
- Heavy duty hydraulic hoses
- Standard length for both pressure- and return hoses 1,50m
- 2 Quick couplings tractor
- System configured for fixed displacement pump
- Coated RAL 1028 Yellow

RANGE

RBT30

RBT47-60

RBT47-60V

**Roodberg**<sup>®</sup>

The Original



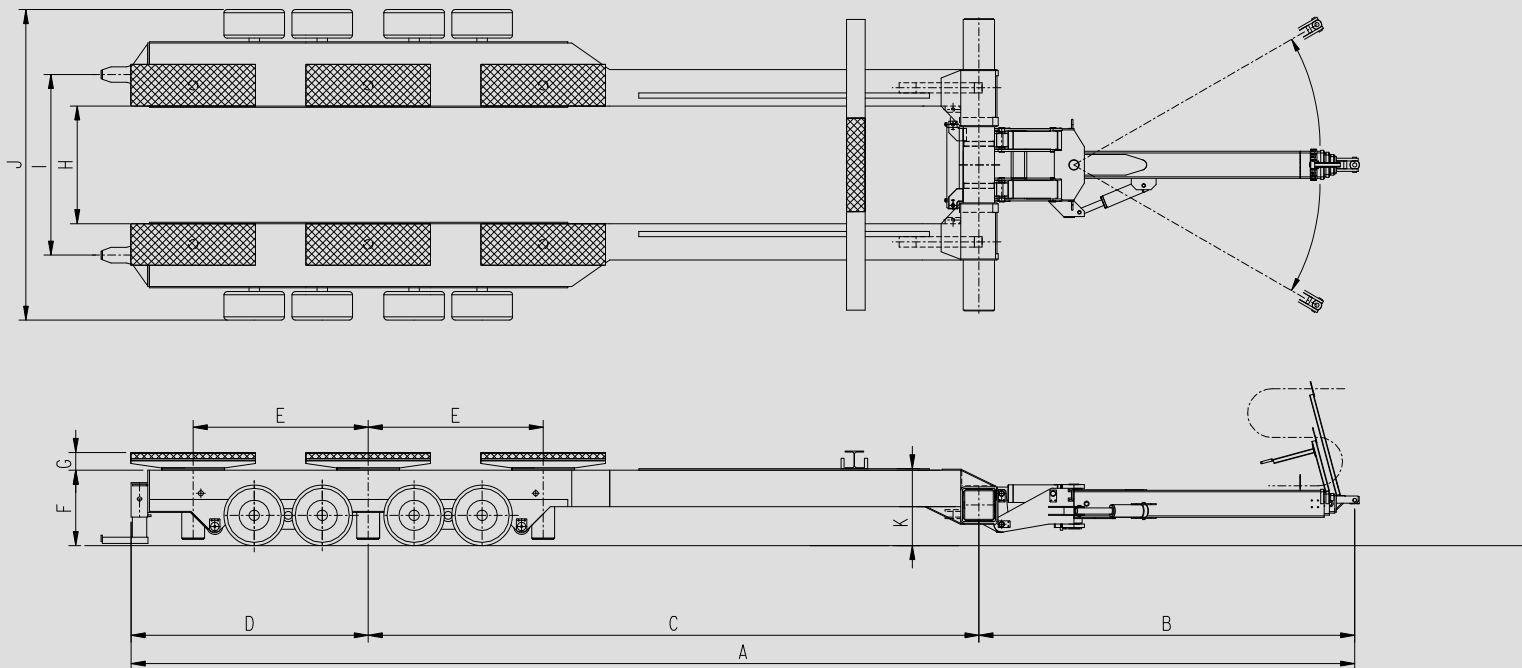
**RBT47      RBT60**  
*Dimensions in meters (approximativ)*

	RBT47	RBT60	
A	overall length	10,74-12,84	11,78-13,88
B	drawbar length	3,62-5,72	3,62-5,72
C	wheelcenter to crossbeam	5,20	5,88
D	wheelcenter to frame end	1,92	2,28
E	pad distance	1,48	1,69
F	frame height	0,63-1,13	0,73-1,42
	total height on pads	0,80-1,65	0,90-2,03
G	pad height	0,17-0,52	0,17-0,61
H	frame width	1,13-2,51	1,13-2,51
I	lifting feet width	1,57-2,95	1,74-3,12
J	overall width	2,51-3,89	2,99-4,37
K	height on crossbeam	0,61-2,40	0,61-2,40

# RBT47-60

## Options

- Hydraulic extendable drawbar extra long (HDEL 3.20m)
- Radio remote control of all hydraulic functions
- Fully galvanized frame + paint
- Denzo tape around hydraulic fittings
- Lower crossbeam with high piece and pad on galvanized steel strips + positioning pins
- Bilgekeel beams support set
- Set of adjustable guiding arms
- Catamaran Crossbeams (width 10m)
- Dual pads
- Nose pad on main crossbeam
- Pad cilinder extension 30cm
- Stainless steel protection plates under pads
- Solid rubber tyres instead of air tyres
- Customized colour



Specifications subject to change without notice. Pictures for references only.

**Roodberg**<sup>®</sup>

Phone: +31 513 52 1313  
 info@roodberg.nl - www.roodberg.nl  
 Terband - Heerenveen - The Netherlands  
[www.roodberg.com](http://www.roodberg.com)